

technical data sheet

dynafor™ range LLX2

Electronic dynamometer
with removable display unit
W.L.L. : 0.5 to 10 t

ref. : **T 2026 GB**
rev. n° : **ind 01**
date : **12/07**
page : **1/2**

Description

Range of precision electronic dynamometers appliances with removable display unit. The radio connection (2.4 G.Hertz) with 80 m in open field, working range is permanent between the unit and removable display unit.

The specific, patented shape of the attaching head enables either standard shackles or standardised accessories for chains.

The dynamometers of this range function in all positions for the measurement of force and suspended for weighing purposes.

The LLX 2 is available in two versions: Standard version with interlinking anchoring rings in the perpendicular surfaces, or an optional version with the anchoring rings both on the same side.

The standard version enables articulation of lifting accessories on both sides, thus avoiding stresses due to load movements and enhancing appliance precision. These assemblies are put together in our production line and cannot be modified later by the user.

Operating Principle

Strain gauge measurement of the extension, within its limits of elasticity, of a metal body subjected to traction stress.

The sensor generates an electrical signal that is proportional to the load. This signal is processed by a micro-processor analyser and then transmitted via radio waves to the display unit, which immediately displays the load applied to the sensor to which it is linked. The display unit is compatible with all of the LLX 2 model sensors, irrespective of their capacity.

Technical Specifications:

Precision: 0.1 %

Coefficient safety: minimum 4

Power supply: 3 x 1.5 V "AA" batteries. Removable Display 1 x LI ONE battery (delivered with charger)

The standard version of the equipment comes with batteries and power pack in a carrying case.

Protection : IP 66 (sensor)

More details are available on page 2.

Optional Accessories

PC connection Kit

Chain accessories with rapid connection

Connecting shackles

Provisions applied :

Machine Directives : 98/37/CEE

European Standards : EN 12100-1 and 12100-2

CEM Directive : 89/336/CEE

Electrical Safety : IEC 61010-1 2de Edition 2001

Radio certifications : CE :Radio test EN 300 440-2 V1.1.1 / USA & Canada : FCC part 15 / Australia : C-Tick ID

R&TTE Directive (1999/5/CE)



0,5 / 1 / 2 / 3,2 t



5 / 6,3 t



10 t

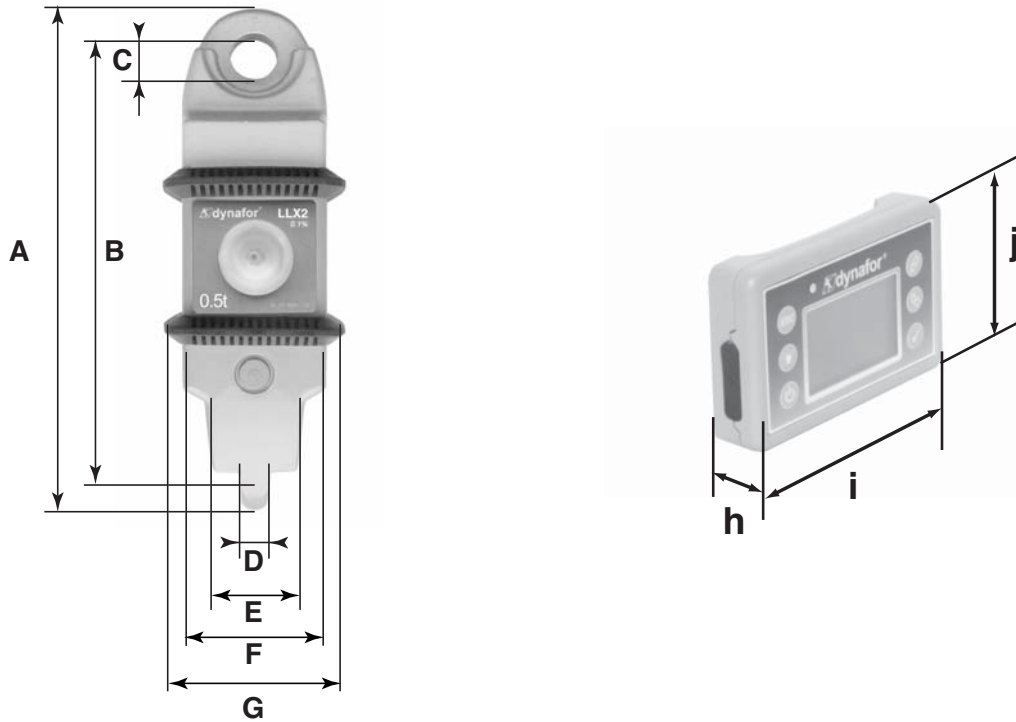


Coplanar Version

technical data sheet

dynafor™ range LLX2
 Electronic dynamometer
 with removable display unit
 W.L.L. : 0.5 to 10 t

ref. : **T 2026 GB**
 rev. n° : **ind 01**
 date : **12/07**
 page : **2/2**



MODEL		LLX2 0.5 t	LLX2 1 t	LLX2 2 t	LLX2 3.2 t	LLX2 5 t	LLX2 6.3 t	LLX2 10 t	Display Unit
Maximum capacity	t	0.5	1	2	3.2	5	6.3	10	All
Test load	t	0.75	1.5	3	4.8	7.5	9.6	15	-
Safety coefficient		Minimum 4							-
Precision		0,1 % according to ISO 376 at 21°C							-
	daN	0.5	1	2	3.2	5	6.3	10	-
Increment	daN	0.1	0.2	0.5	0.5	1	1	2	<
Max. Display	daN	550	1100	2200	3520	5500	6930	11000	<
Number height	mm	-	-	-	-	-	-	-	25
Autonomy		From 300 to 1000 h depending of functions							48 h
Radio scope	m	80 (in open field)							
RF Technology		2.4 Ghz							
Weight	kg	2.300				3.350		6.45	0.180
IP Protection		I.P. 66 NEMA 4							I.P. 54
Usage		From - 20° to 40°C							
Sensitivity to T°		0.035% per °C							
Head Material		Steel							-
Sensor Material		Aluminium						Steel	-
Dimensions mm	A	248	248	248	248	290	290	341	-
	B	224	224	224	224	254	254	296	-
	C	Ø 20	Ø 20	Ø 20	Ø 20	Ø 28	Ø 28	Ø 40	-
	D	10	10	10	10	16	16	20	-
	E	24	24	24	24	35	35	54	-
	F	80	80	80	80	80	80	80	-
	G	100	100	100	100	100	100	100	-
	h	-	-	-	-	-	-	-	26.7
	i	-	-	-	-	-	-	-	131
	j	-	-	-	-	-	-	-	82