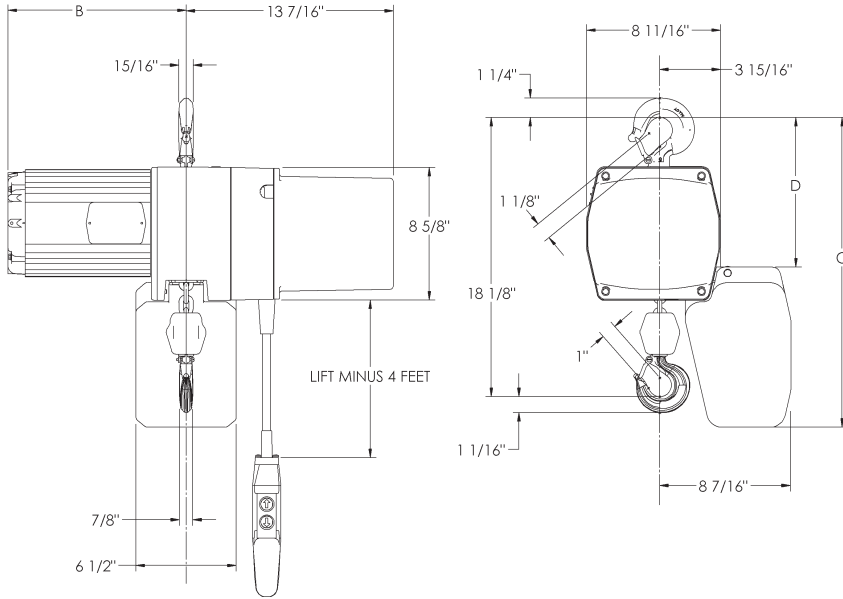
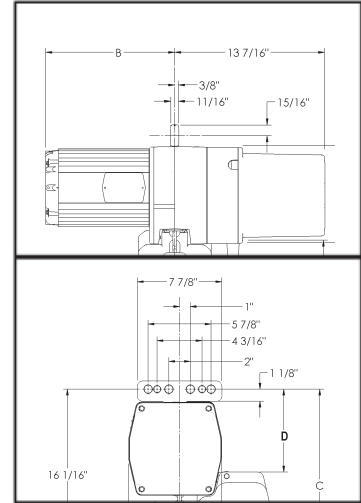


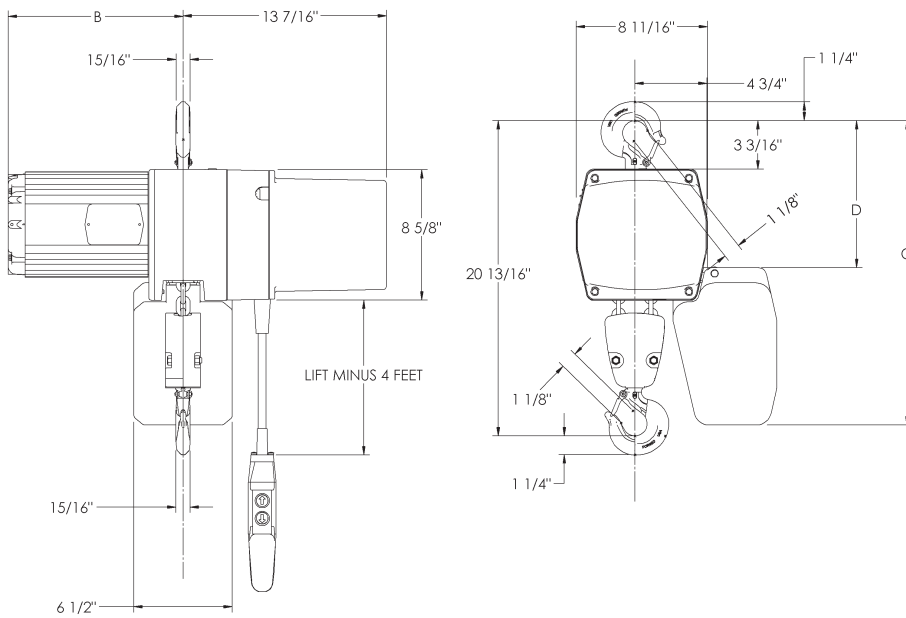
**JLC (Hook Mount) 1/8 to 1 Ton**



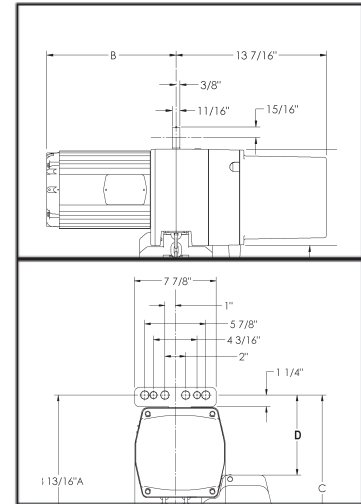
**LUG SUSPENSION**  
**1/8 to 1 Ton**



**JLC (Hook Mount) 2 Ton**



**LUG SUSPENSION**  
**2 Ton**

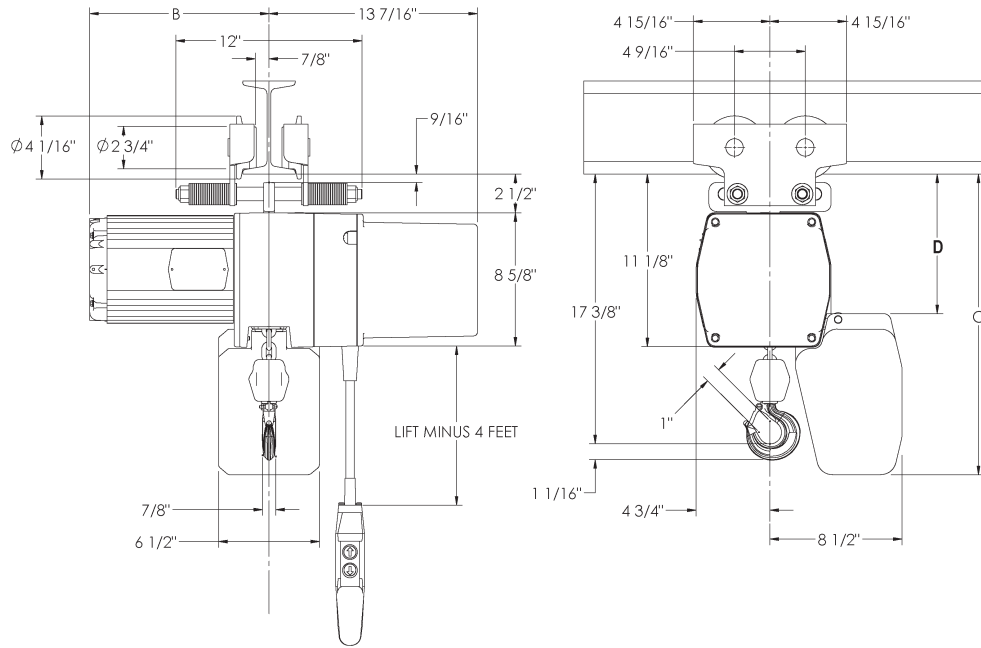


Model Number	Rated Load (Lbs.)	B 1-Speed	B 2-Speed
JLC-0232	250	10 5/8	11 1/2
JLC-0516	500	10 5/8	11 1/2
JLC-0532	500	10 5/8	11 1/2
JLC-1016	1000	10 5/8	11 1/2
JLC-1032	1000	10 5/8	11 1/2
JLC-2016	2000	10 5/8	11 1/2
JLC-4008	4000	10 5/8	11 1/2

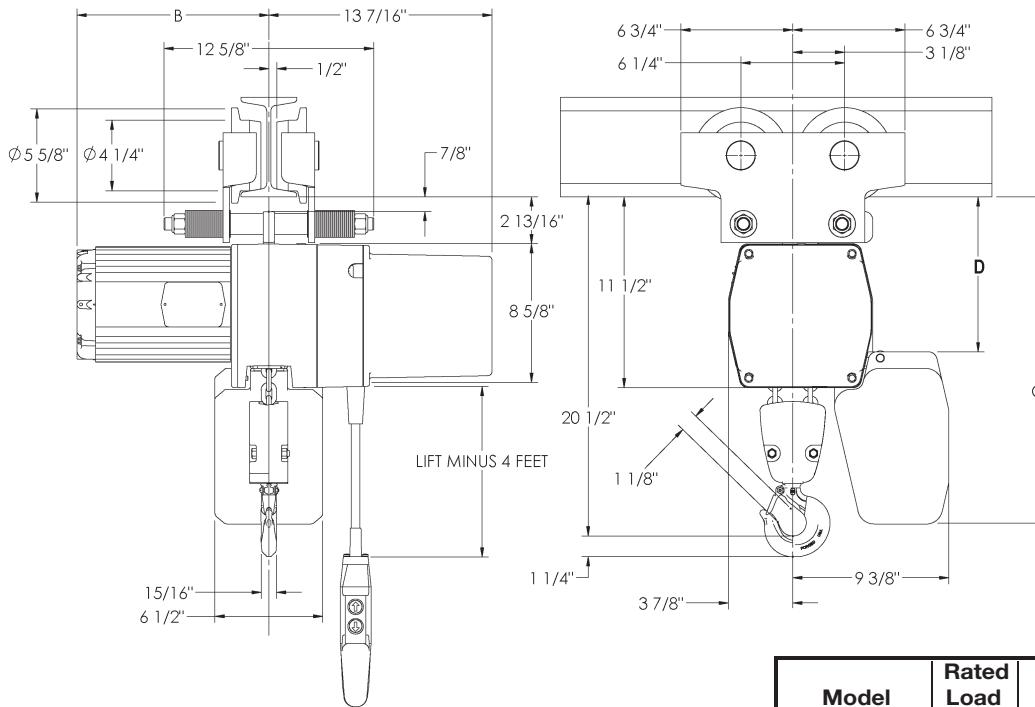
**CHAIN CONTAINER DATA**

Part Number	C	D	Capacity (Hoist Lift in Feet)	
			JLC(TH)(LG)(ET)(MT) 1/8 Ton thur 1 Ton (Single Chain)	JLC(TH)(LG)(ET)(MT) 2 Ton (Double Chain)
JLC927-1	17	6 1/2	20	10
JLC927-2	26 7/8	10 7/8	35	17
JLC927-3	31 1/8	10 7/8	50	25

**JLC** (Plain Trolley Mount) JLCET 1/8 to 1 Ton (Cross Mounted)



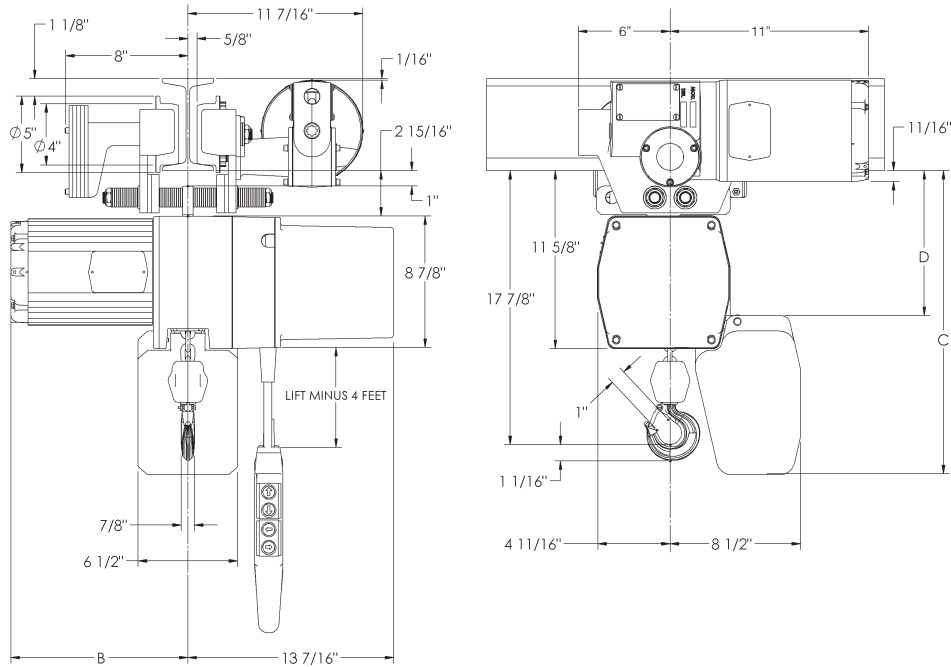
**JLC** (Plain Trolley Mount) JLCET 2 Ton (Cross Mounted)



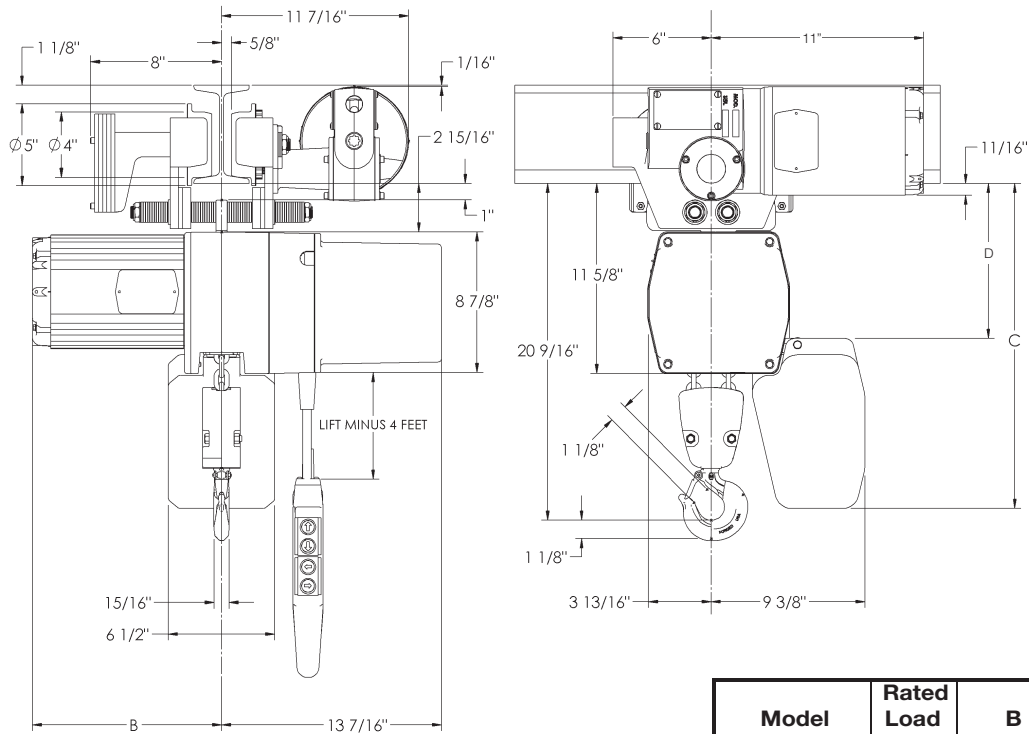
Model Number	Rated Load (Lbs.)	B 1-Speed	B 2-Speed
JLCET-0232	250	10 5/8	11 1/2
JLCET-0516	500	10 5/8	11 1/2
JLCET-0532	500	10 5/8	11 1/2
JLCET-1016	1000	10 5/8	11 1/2
JLCET-1032	1000	10 5/8	11 1/2
JLCET-2016	2000	10 5/8	11 1/2
JLCET-4008	4000	10 5/8	11 1/2

Refer to Chain Container Data Information (C,D) on Page 56

**JLC (Motorized Trolley Mount) JLCMT 1/8 to 1 Ton (Cross Mounted)**



**JLC (Motorized Trolley Mount) JLCMT 2 Ton (Cross Mounted)**



Model Number	Rated Load (Lbs.)	B 1-Speed	B 2-Speed
JLCMT-0232	250	10 5/8	11 1/2
JLCMT-0516	500	10 5/8	11 1/2
JLCMT-0532	500	10 5/8	11 1/2
JLCMT-1016	1000	10 5/8	11 1/2
JLCMT-1032	1000	10 5/8	11 1/2
JLCMT-2016	2000	10 5/8	11 1/2
JLCMT-4008	4000	10 5/8	11 1/2

Refer to Chain Container Data Information (C,D) on Page 56